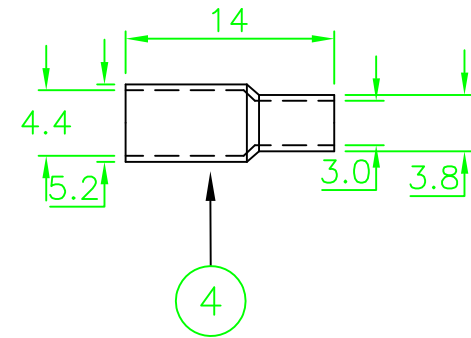
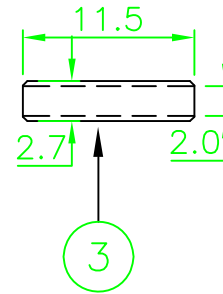
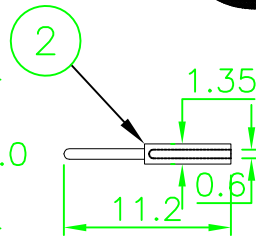
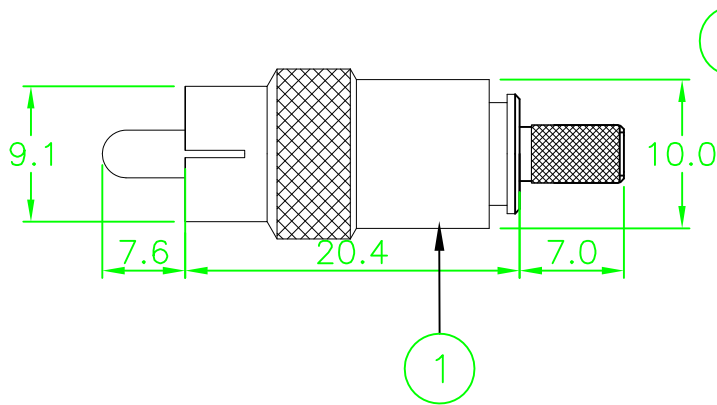
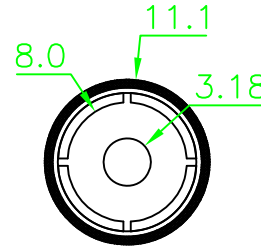
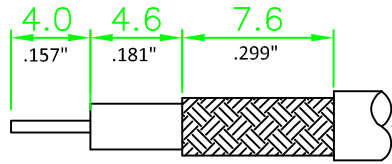


100 MHz MHR RCA PLUG

REV	DESCRIPTION	DATE
0	ISSUE	05/12/11

Cable Strip Dimensions



Crimp Notes:

- Center Pin Crimp: .042-inch
- Ferrule Upper: .178-inch
- Ferrule Lower: .128-inch
- Lower Ferrule Crimp is optional

Cable Notes:

- 26 AWG Stranded MHR
- 25 AWG Solid MHR
- Dielectric Max OD .078-inch / 2mm
- Cable Max OD .118-inch / 3mm

Tooling and Support Items:

- | P/N | Description |
|----------|--------------------------------|
| 47-10000 | Tool Frame |
| 47-20250 | Crimp Die |
| 1258 | Strip Tool |
| BMHR-CCC | Strain Relief Boot CCC = Color |
| MHR-BNC | BNC Plug |

COMPONENT LIST

LIBERTY WIRE & CABLE WWW.LIBERTYCABLE.COM
 11675 RIDGELINE DRIVE (800) 530-8998
 COLORADO SPRINGS, CO 80921

Item	DESCRIPTION	QTY	MATL	REMARK	UNIT:mm	TITLE:	DR.	RP
4	FERRULE	1	EA	BRASS/NICKEL	SCALE 3	Connector Specification CON, RCA, CRP	DR.	RP
3	STIFFENER	1	EA	TEFLON			UNLESS OTHERWISE SPECIFIED TOLERANCES: x ±.015 xx ±.010 xxx ±.005 ANGLE ± 1°	CH.
2	CONTACT PIN	1	EA	BRASS/Au 1u" Plate	SHEET	PART NUMBER:	DR.	RP
1	RCA CONNECTOR BODY	1	EA	BRASS/NICKEL, Be/Cu PIN	1/1	MHR-RCA	CH.	RP
						DWG. #:	AP.	RP
						LWC-AAA-00440		